

VERTICAL DIRECTIONAL BLOCKS

HIGH QUALITY

Wintech steel sheaves are precision made from the highest quality fine-grain steel. They're tough, hassle free and they last longer.

HIGH STRENGTH AND LOW WEIGHT

The strength of the steel used by Wintech considerably exceeds that of cast iron. Steel also has a weight-saving advantage of up to 50 percent over cast iron, resulting in easier handling and installation.

HIGH EFFICIENCY BEARINGS

Wintech fits its steel sheaves with high-efficiency, deep-groove, double ball bearings, for maximum efficiency, reduced friction, smooth motion, long life and high speed.

EXCEPTIONAL ARC OF SUPPORT

Wintech steel sheaves ensure that the shape of your rope is maintained under normal load conditions.

HIGH SHEAVE-TO-ROPE RATIO

With a minimum sheave-to-rope ratio of 15:1, the rope's bending stress is reduced for longer life.

WORK HARDENED

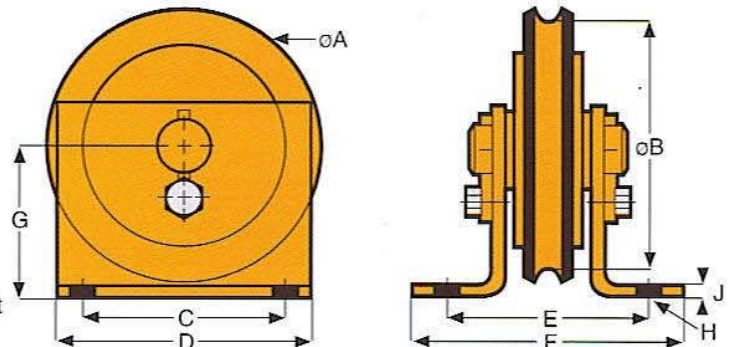
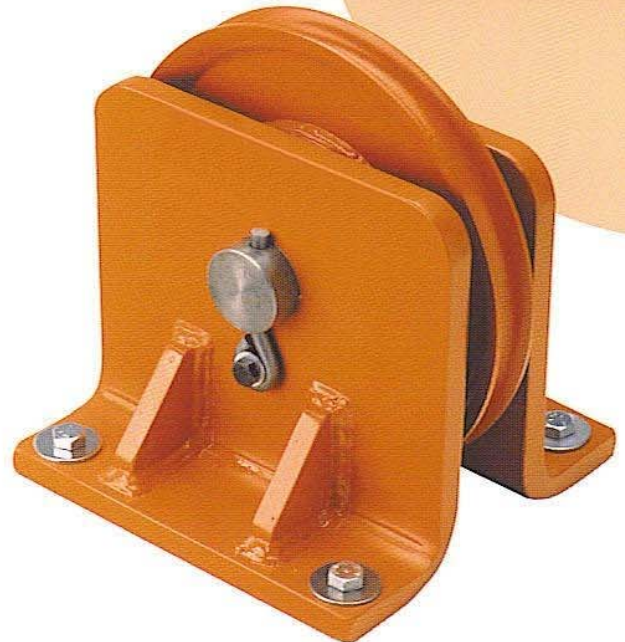
Rope grooves are hardened during forming, increasing the life of sheave and rope.

LIFETIME LUBRICATION

Precision sealed, bearings stay lubricated ensuring low maintenance.

BLOCK LOADING

Wintech blocks are rated for the full working load limit at 0° rope angle.



Model Number		VB 1000	VB 3500	VB 7000	VB 10500	VB 16000	VB 23000	VB 31000	VB 41000	VB 52000	VB 68000	VB 83000
Working Load Limit	lb	1000	3500	7000	10500	16000	23000	31000	41000	52000	68000	83000
	kg	455	1587	3175	4772	7272	10455	14090	18636	23583	30839	37642
Sheave Diameter	in	2.25	4.25	6.00	8.00	10.00	12.00	14.00	16.00	21.54	23.54	26.34
	mm	57	109	152	203	254	305	357	406	547	598	669
Rope Size	in	1/8	1/4	3/8	1/2	5/8	3/4	7/8	1	1 1/8	1 1/4	1 3/8
	mm	3	6	10	13	16	19	22	25	29	32	35
Weight	lb	2	6	16	27	54	80	128	229	375	595	950
	kg	0.9	2.7	7.25	8.2	24.5	36.3	58	104	170	270	431
DIMENSIONS (mm)	A	57	109	152	203	254	305	357	406	547	598	669
	B	51	95	136	179	222	265	313	362	457	508	559
	C	32	60	83	114	153	216	267	292	406	444	497
	D	51	89	127	165	203	280	330	368	497	543	608
	E	70	87	122	151	185	219	253	286	283	309	346
	F	89	125	167	202	236	283	317	362	359	392	439
	G	35	61	86	112	143	165	194	223	283	309	346
	H	8.75	10.3	13.5	17.5	21	27	27	33	33	35	40
J	4.75	6.4	9.6	13	16	19	22	26	26	29	32	

The S 52000, S 68000 and S 83000 are supplied with double row cylindrical roller bearings.

Important: Due to our policy of continuing development, all specifications are subject to change without notice. Users of these products are responsible for ensuring their suitability for the application in which they are being used.